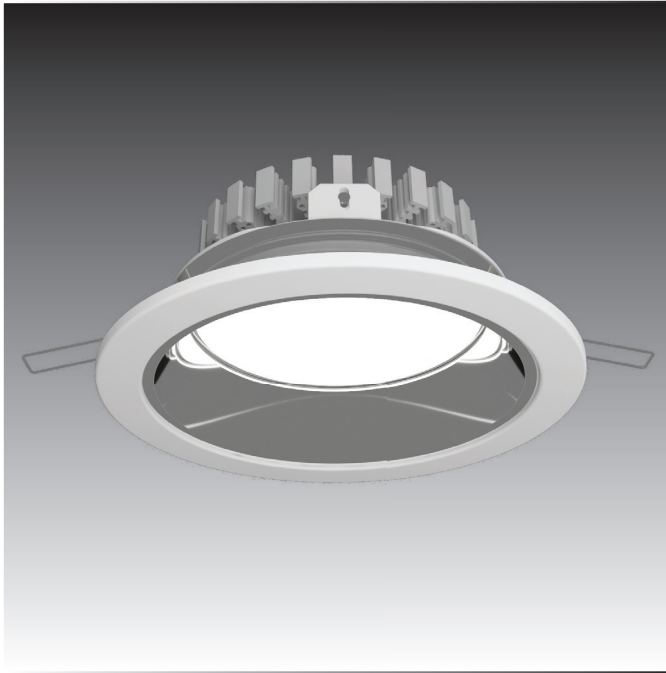


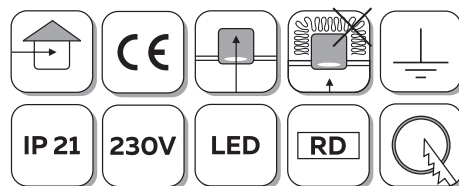
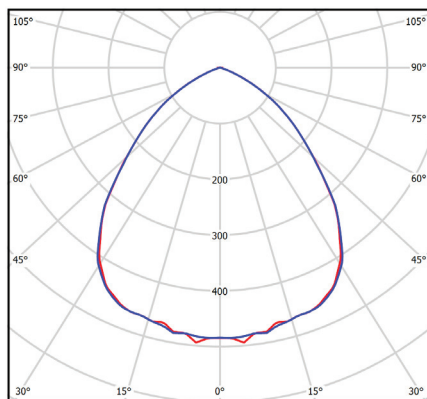
NIA



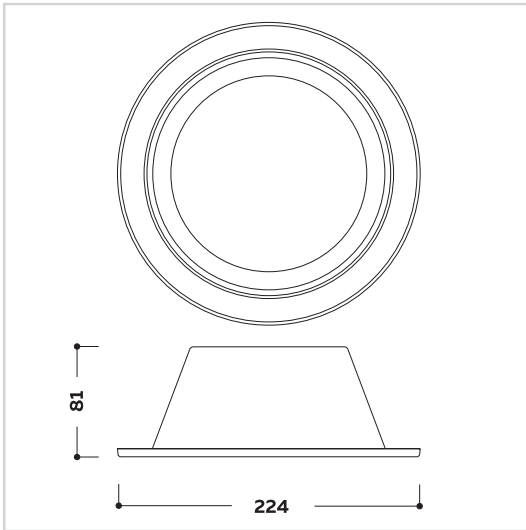
NIA is a luminaire for mounting in a suspended ceiling with elements for quick and easy installation. The model is complete with PHILIPS LED module and driver. A wide range of internal applications for offices, shops, hotels, schools, conference halls, restaurants and others. Suitable for replacement of downlights with PLL.

PRODUCT DESCRIPTION:

- LED module efficiency: > 140lm / W
- LED module luminous flux 1100lm, 2000lm or 3000lm. For luminous flux 5000lm on request
- High color rendering CRI > 80.
- Option-Dimmable DALI or 1-10V
- Option-emergency unit
- Protection IP21
- Long life: 50,000 hours
- Body: metal
- Reflector: aluminum
- Warranty: 5 years



NIA AA2419



DIMENSIONS:

AA2419 224xH81mm

Cut OUT (mm) \varnothing 200

CONFIGURATION REF. = A+B+C+D
example: AA2419 11E830-W-TD-EA1

A

REF.	Dimension D/H	Power W	Luminous flux Lm	Color temperature K	Efficiency Lm/W	CRI	LED module and driver
AA2419 11E830...	224x81mm	9.9 W	1100 Lm	3000 K	112 Lm/W	>80	PHILIPS
AA2419 11E840...	224x81mm	9 W	1100 Lm	4000 K	122 Lm/W	>80	PHILIPS
AA2419 20E830...	224x81mm	17 W	2000 Lm	3000 K	118 Lm/W	>80	PHILIPS
AA2419 20E840...	224x81mm	15.7 W	2000 Lm	4000 K	133 Lm/W	>80	PHILIPS

B

COLOR

WHITE	.W
GRAY	.GR
BLACK	.BK
OTHER RAL COLORS	ON REQUEST

C

DIMMABLE

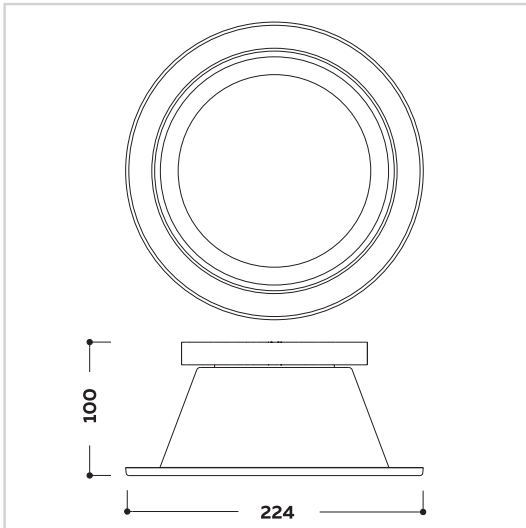
DALI	.TD
1-10V	.D1-10

D

EMERGENCY

1h	.EA1
3h	.EA3

NIA AA3066



DIMENSIONS:

AA3066 224xH100mm

Cut OUT (mm) **Ø 200**

CONFIGURATION REF. = A+B+C+D
example: AA3066 30E830-W-TD-EA1

A

REF.	Dimension D/H	Power W	Luminous flux Lm	Color temperature K	Efficiency Lm/W	CRI	LED module and driver
AA3066 30E830...	224x100mm	23.2 W	3000 Lm	3000 K	130 Lm/W	>80	PHILIPS
AA3066 30E840...	224x100mm	21.2 W	3000 Lm	4000 K	143 Lm/W	>80	PHILIPS

B

COLOR

WHITE	.W
GRAY	.GR
BLACK	.BK
OTHER RAL COLORS	ON REQUEST

C

DIMMABLE

DALI	.TD
1-10V	.D1-10

D

EMERGENCY

1h	.EA1
3h	.EA3