

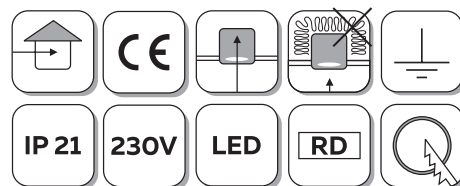
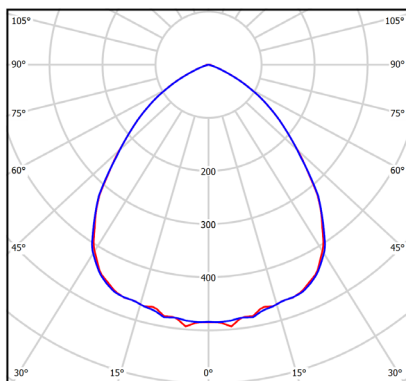
MOBY RSL



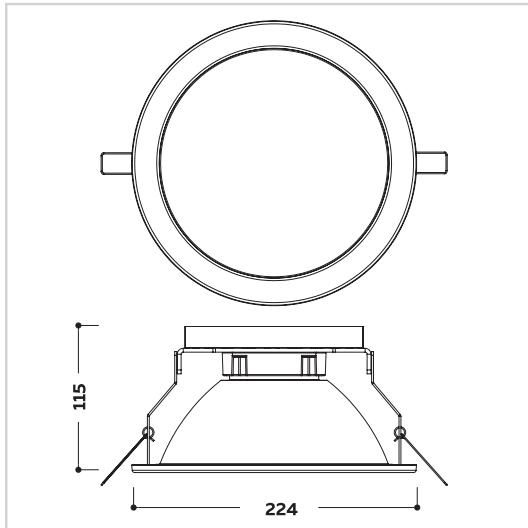
MOBY is a luminaire for mounting in a suspended ceiling with elements for quick and easy installation. The model is ready for use, complete with PHILIPS LED module and driver. A wide range of internal applications for offices, shops, hotels, schools, conference halls, restaurants and others. Suitable for replacement of downlights with PLL.

PRODUCT DESCRIPTION:

- LED module efficiency: > 140lm / W
- LED module luminous flux 1100lm, 2000lm or 3000lm. For luminous flux 5000lm on request
- High color rendering CRI > 80.
- Option-Dimmable DALI
- Option-emergency unit
- Protection IP21
- Long life: 50,000 hours
- Body: metal
- Reflector: aluminum
- Diffuser: polycarbonate opal
- Warranty: 5 years



MOBY RSL AA2377



DIMENSIONS:

AA2377 224xH115mm

Cut OUT (mm) Ø 200

CONFIGURATION REF. = A+B+C+D

example: AA2377 11E830-W-TD-EA1

A

REF.	Dimensions D/H	Power W	Luminous flux Lm	Color temperature K	Efficiency Lm/W	CRI	LED module and driver
AA2377 11E830...	224x115mm	9.9 W	1100 Lm	3000 K	112 Lm/W	50000 h	PHILIPS
AA2377 11E840...	224x115mm	9 W	1100 Lm	4000 K	122 Lm/W	50000 h	PHILIPS
AA2377 20E830...	224x115mm	17 W	2000 Lm	3000 K	127 Lm/W	50000 h	PHILIPS
AA2377 20E840...	224x115mm	15.7 W	2000 Lm	4000 K	118 Lm/W	50000 h	PHILIPS
AA2377 30E830...	224x115mm	24.5 W	3000 Lm	3000 K	122 Lm/W	50000 h	PHILIPS
AA2377 30E840...	224x115mm	22.5 W	3000 Lm	4000 K	133 Lm/W	50000 h	PHILIPS

B

COLOR

WHITE	.W
GRAY	.GR
BLACK	.BK
OTHER RAL COLORS	ON REQUEST

C

DIMMABLE

DALI	.TD

D

EMERGENCY

1h	.EA1
3h	.EA3