

KARDAN S RCW

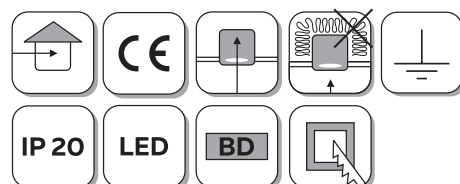
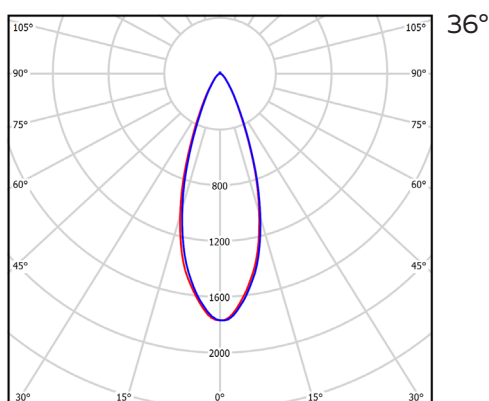
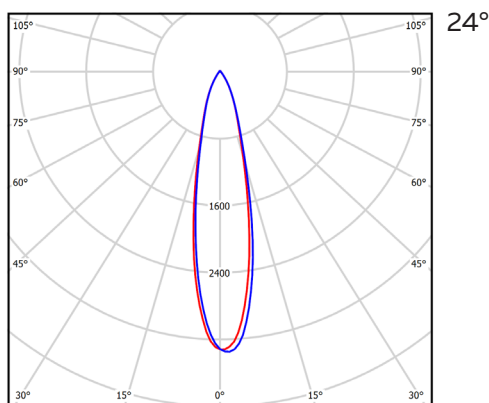


KARDAN S RCW is a luminaire for installation in a suspended ceiling with "invisible frame". The model is complete with TRIDONIC LED module and driver or GU10/220V.

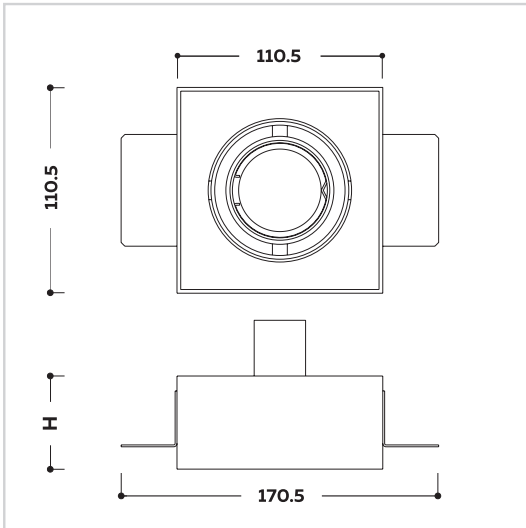
Applications: stores, hotels, shopping centers, restaurants and more. Suitable for replacement of downlights with halogen lamps.

PRODUCT DESCRIPTION:

- High efficiency
- LED module luminous flux 700lm or 1200lm.
- Standard color temperatures are 3000K and 4000K. For 2700K on request
- The LED module luminaire is available in 24 ° or 36 °
- High color rendering CRI> 90
- Dimmable DALI or Phase cut
- Protection IP20
- Long life: 50,000 hours
- Body: aluminium
- Reflector: aluminium
- Warranty: 5 years



KARDAN S1 RCW AA2879



DIMENSIONS:

AA2879 111x111xH80mm
AA2879 111x111xH100mm

Cut OUT (mm)

114/114/95
114/114/115

CONFIGURATION REF. = A+B+C+D
example: AA2879 7E930-W-TD-EA1

A

REF.	Dimension L/W/H	Power W	Luminous flux Lm	Color temperature K	Efficiency Lm/W	CRI	LED module and driver
AA2879 GU10...	111x111x80mm						1x GU10/220V 2x GU10/220V
AA2879 7E930...	111x111x100mm	8.8 W	840 Lm	3000 K	95 Lm/W	>90	TRIDONIC
AA2879 7E940...	111x111x100mm	8.8 W	890 Lm	4000 K	101 Lm/W	>90	TRIDONIC
AA2879 12E930...	111x111x100mm	12.6 W	1170 Lm	3000 K	95 Lm/W	>90	TRIDONIC
AA2879 12E940...	111x111x100mm	15.7 W	1270 Lm	4000 K	101 Lm/W	>90	TRIDONIC

B

COLOR

WHITE	.W
GRAY	.GR
BLACK	.BK
OTHER RAL COLORS	ON REQUEST

C

DIMMABLE

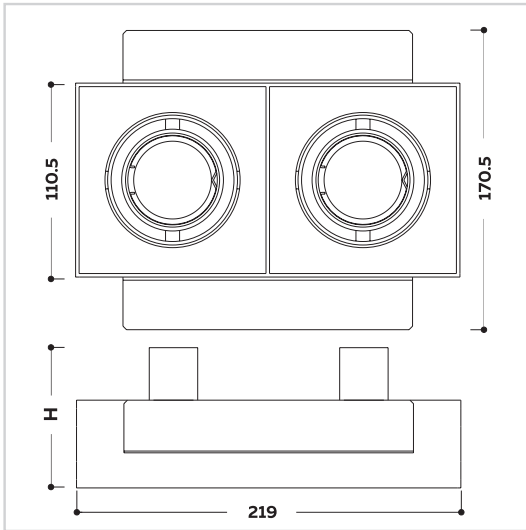
DALI	.TD
------	-----

D

OPTIC

Lents angle	..24°
Lents angle	..36°

KARDAN S2 RCW AA3136



DIMENSIONS:

AA3136 111x219xH80mm
AA3136 111x219xH100mm

Cut OUT (mm)

114/223/95
114/223/115

CONFIGURATION REF. = A+B+C+D

example: AA3136 14E930-W-TD-EA1

A

REF.	Dimension L/W/H	Power W	Luminous flux Lm	Color temperature K	Efficiency Lm/W	CRI	LED module and driver
AA3136 2GU10...	111x219x80mm						1x GU10/220V 2x GU10/220V
AA3136 14E930...	111x219x100mm	17.7 W	1680 Lm	3000 K	95 Lm/W	>90	TRIDONIC
AA3136 14E940...	111x219x100mm	17.6 W	1780 Lm	4000 K	101 Lm/W	>90	TRIDONIC
AA3136 24E930...	111x219x100mm	24.6 W	2340 Lm	3000 K	95 Lm/W	>90	TRIDONIC
AA3136 24E940...	111x219x100mm	25.1 W	2540 Lm	4000 K	101 Lm/W	>90	TRIDONIC

Operation Lifetime: 50000h

B

COLOR

WHITE	.W
GRAY	.GR
BLACK	.BK
OTHER RAL COLORS	ON REQUEST

C

DIMMABLE

DALI	.TD
------	-----

D

OPTIC

Lents angle	.24°
Lents angle	.36°