

CIRCLE RCW

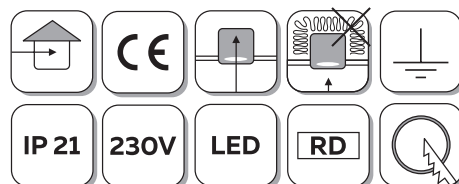
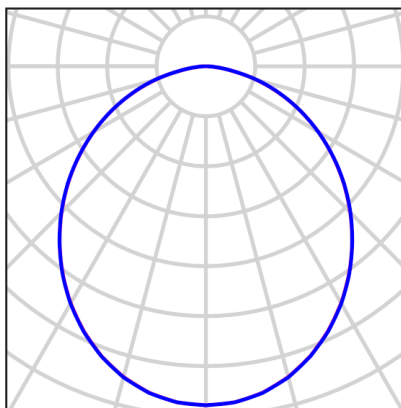


CIRCLE RCW is a luminaire for installation in a suspended ceiling with "invisible frame"

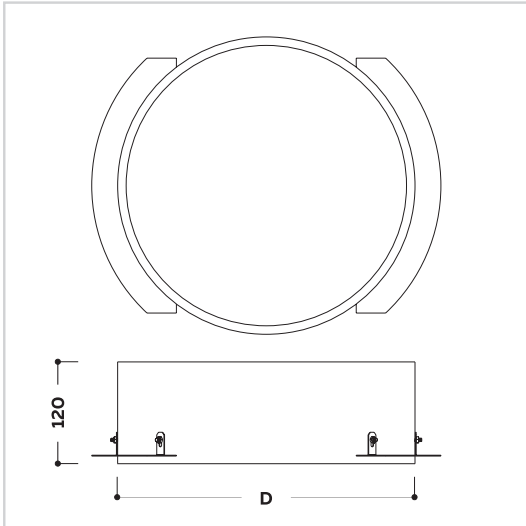
The model is complete with LED modules and drivers PHILIPS. A wide range of indoor applications for offices, shops, conference rooms and more.

PRODUCT DESCRIPTION:

- Efficiency of LED module: over 100 lm / W
- The light flux (Lm) can be changed in a range other than the one specified - on request
- High CRI color rendering > 90. For CRI > 80 on request
- Option: Dimmable DALI or 1-10V
- Option: Emergency Module
- Degree of protection: IP21
- Long life: 50,000 hours
- Body: Aluminium
- Difuzer: polycarbonate opal
- Warranty: 5 years



CIRCLE RCW



DIMENSIONS:

AA3218 335x120xH120mm
AA3219 490x120xH120mm
AA3220 630x120xH120mm
AA3221 800x120xH120mm
AA3222 1250x120xH120mm

Cut OUT (mm)

D340mm
 D495mm
 D635mm
 D805mm
 D1255mm

H min. =
200mm

CONFIGURATION REF. = A+B+C+D

example: AA3218 F25E930-W-TD

A

REF.	Dimensions D/H	Power W	Luminous flux Lm	Color temperature K	Efficiency Lm/W	CRI	LED module and driver
AA3218 F25E930	335X120mm	15.6 W	1360 Lm	3000 K	87 Lm/W	>90	PHILIPS
AA3218 F25E940	335X120mm	15.6 W	1432 Lm	4000 K	92 Lm/W	>90	PHILIPS
AA3219 F47E930	490X120mm	36.0 W	3397 Lm	3000 K	94 Lm/W	>90	PHILIPS
AA3219 F47E940	490X120mm	36.0 W	3573 Lm	4000 K	99 Lm/W	>90	PHILIPS
AA3220 F88E930	630X120mm	63.0 W	5900 Lm	3000 K	94 Lm/W	>90	PHILIPS
AA3220 F88E940	630X120mm	63.0 W	6200 Lm	4000 K	98 Lm/W	>90	PHILIPS
AA3221 F136E930	800X120mm	98.0 W	9285 Lm	3000 K	95 Lm/W	>90	PHILIPS
AA3221 F136E940	800X120mm	98.0 W	9783 Lm	4000 K	100 Lm/W	>90	PHILIPS
AA3222 F356E930	1250X120mm	285.0 W	27176 Lm	3000 K	95 Lm/W	>80	PHILIPS
AA3222 F356E940	1250X120mm	285.0 W	28631 Lm	4000 K	100 Lm/W	>80	PHILIPS

Operation Lifetime: 50000h

B

COLOR

WHITE	.W
GRAY	.GR
BLACK	.BK
OTHER RAL COLORS	ON REQUEST

C

DIMMABLE

DALI	.TD
1-10V	.D1-10