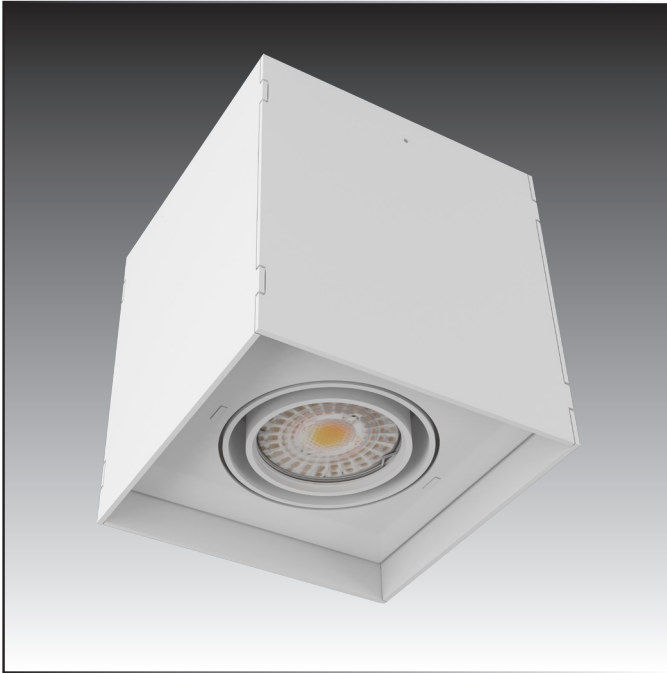


CUBE S

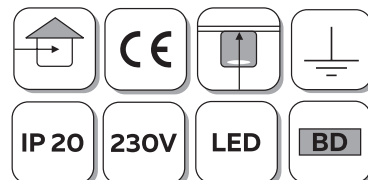
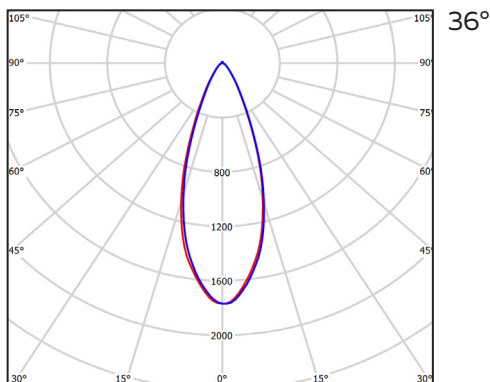
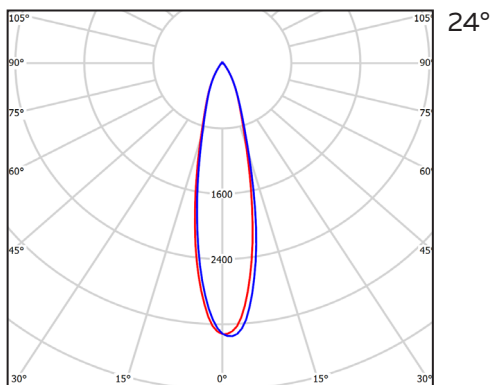


CUBE S are lighting fixtures for ceiling installation. The model is complete with LED module and driver or GU10/220V.

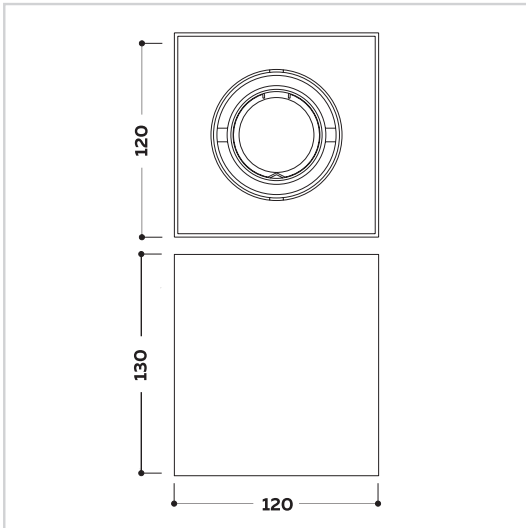
Applications: stores, hotels, shopping centers, restaurants and more. Suitable for replacement of downlights with halogen lamps.

PRODUCT DESCRIPTION:

- Modern design
- Standard color temperatures are 3000K and 4000K. For 2700K on request
- The LED module luminaire is available in 24° or 36°
- High color rendering CRI > 90
- Protection IP20
- Phase cut Dimmable
- Long life: 50,000 hours
- Body: aluminium
- Reflector: aluminium
- Warranty: 5 years



CUBE S1 AA2887



DIMENSIONS:

AA2887 120x120xH130mm

CONFIGURATION REF. = A+B+C
example: AA2887 7E930-W-24

A

REF.	Dimension L/W/H	Power W	Luminous flux Lm	Color temperature K	Efficiency Lm/W	CRI	LED module and driver
CUBE S1 AA2887 GU10...	120x120x H130mm	max 50W					1x GU10/220V
CUBE S1 AA2887 7E930...	120x120x H130mm	9.5 W	760 Lm	3000 K	80 Lm/W	>90	TRIDONIC
CUBE S1 AA2887 7E940...	120x120x H130mm	9.5 W	810 Lm	4000 K	85 Lm/W	>90	TRIDONIC

Operation Lifetime: 50000h

B

COLOR

WHITE	.W
GRAY	.GR
BLACK	.BK
OTHER RAL COLORS	ON REQUEST

C

OPTIC

Lents angle	.24°
Lents angle	.36°