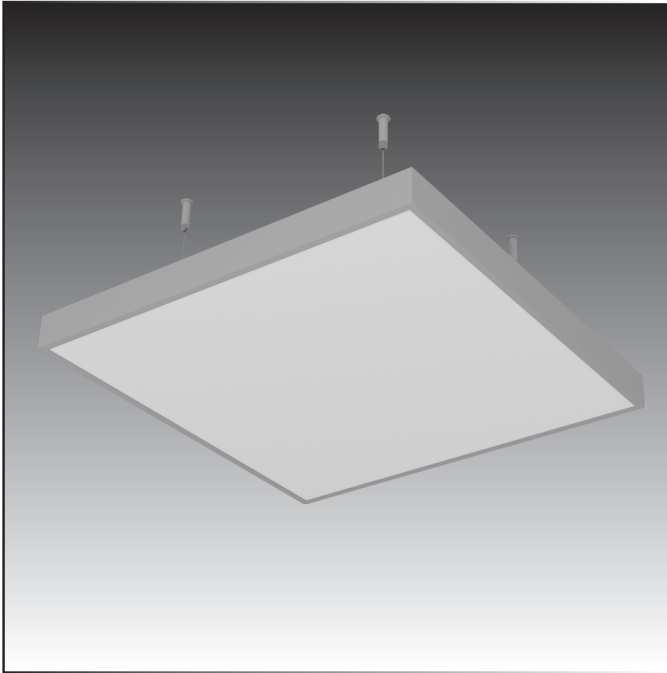


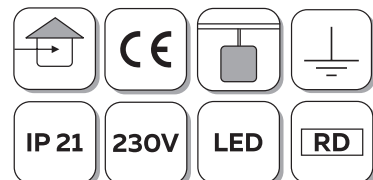
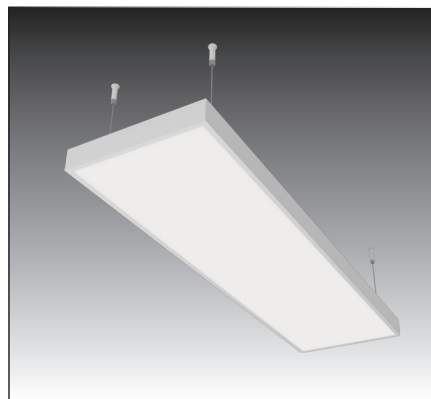
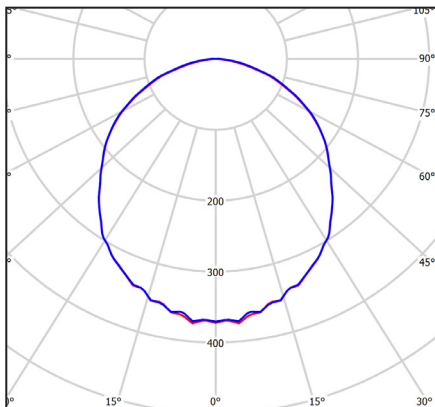
TRIX PN



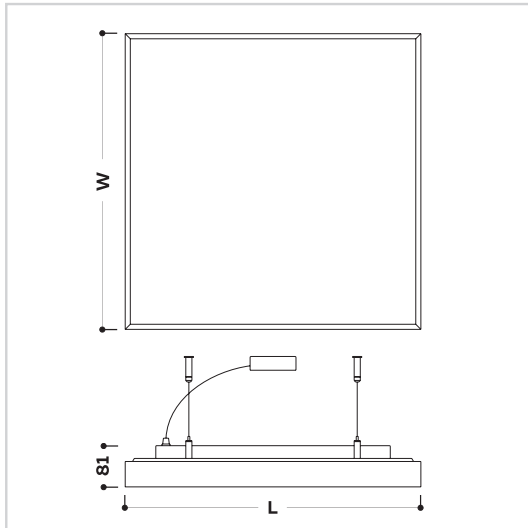
TRIX PN is a series of mounted ceiling lighting fixtures. The model is complete with LED modules and PHILIPS drivers. Wide range of indoor applications for offices, shops, schools, conference rooms, and more. Suitable for replacement of standard luminaires with luminescent cigars T5 and T8.

PRODUCT DESCRIPTION:

- LED module efficiency: over 165lm / W
- The light flux (Lm) can be changed in a range other than the one specified - on request
- High color rendering index CRI > 80.
- Option-Dimmable DALI or 1-10V
- Option-Emergency Module
- Protection: IP21
- Long life: 50,000 hours
- Body: aluminium
- Diffuser: polycarbonate opal
- Warranty: 5 years



TRIX PN AA3240



DIMENSIONS:

AA3240 580x580xH81mm

AA3243 850x850xH81mm

CONFIGURATION REF. = A+B+C+D

example: AA3240 50E830-W-TD-EA1

A

REF.	Dimension L/W/H	Power W	Luminous flux Lm	Color temperature K	Efficiency Lm/W	CRI	LED module and driver
AA3240 50E830	L580xW580xH81mm	32 W	3758 Lm	3000 K	119 Lm/W	>80	PHILIPS
AA3240 50E840	L580xW580xH81mm	32 W	4000 Lm	4000 K	127 Lm/W	>80	PHILIPS
AA3243 110E830	L850xW850xH81mm	70.0 W	8443 Lm	3000 K	121 Lm/W	>80	PHILIPS
AA3243 110E840	L850xW850xH81mm	46.0 W	9013 Lm	4000 K	129 Lm/W	>80	PHILIPS

Operation Lifetime: 50000h

B

COLOR

WHITE	.W
GRAY	.GR
BLACK	.BK
OTHER RAL COLORS	ON REQUEST

C

DIMMABLE

DALI	.TD
1-10V	.D1-10

D

EMERGENCY

1h	.EA1
3h	.EA3