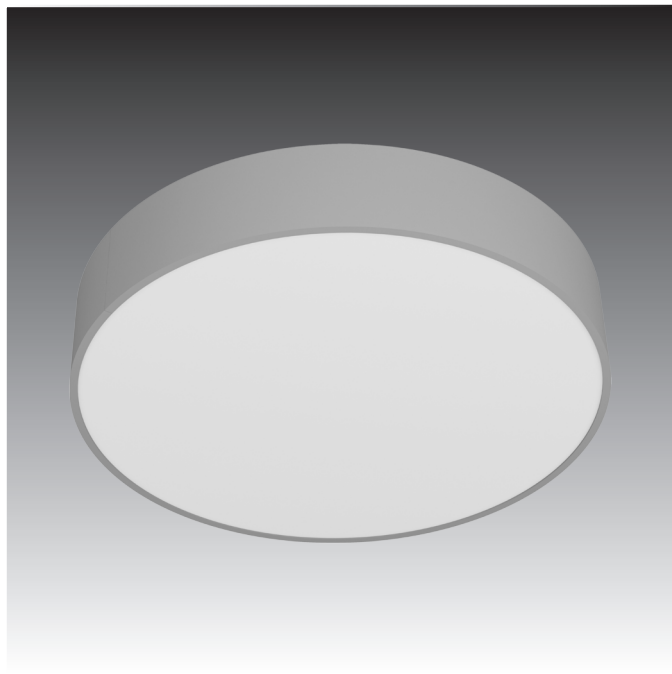


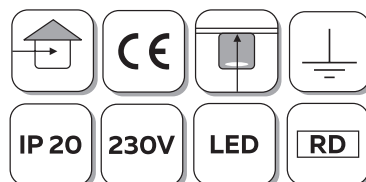
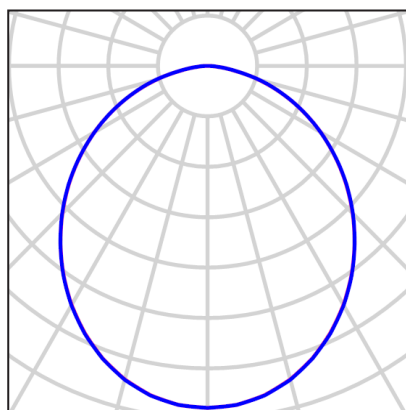
CIRCLE SF



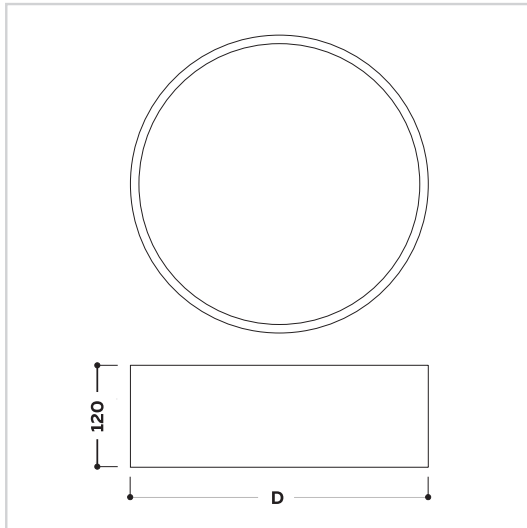
CIRCLE SF is a series of indoor ceiling lighting fixtures. The model is complete with LED modules and drivers PHILIPS. A wide range of indoor applications for offices, shops, conference rooms and more.

PRODUCT DESCRIPTION:

Efficiency of LED module: over 100 lm / W
The light flux (Lm) can be changed in a range other than the one specified - on request
High CRI color rendering > 90. For CRI > 80 on request
Option: Dimmable DALI or 1-10V
Option: Emergency Module
Degree of protection: IP21
Long life: 50,000 hours
Body: Aluminium
Difuzer: polycarbonate opal
Warranty: 5 years



CIRCLE SF



DIMENSIONS:

- AA3466** 335xH120mm
- AA3467** 490xH120mm
- AA3468** 630xH120mm
- AA3469** 800xH120mm
- AA3470** 1250xH120mm

CONFIGURATION REF. = A+B+C

example: AA2466 F25E930-W-TD

A

REF.	Dimensions D/H	Power W	Luminous flux Lm	Color temperature K	Efficiency Lm/W	CRI	LED module and driver
AA3466 F25E930	335X120mm	15.6 W	1360 Lm	3000 K	87 Lm/W	>90	PHILIPS
AA3466 F25E940	335X120mm	15.6 W	1432 Lm	4000 K	92 Lm/W	>90	PHILIPS
AA3467 F47E930	490X120mm	36.0 W	3397 Lm	3000 K	94 Lm/W	>90	PHILIPS
AA3467 F47E940	490X120mm	36.0 W	3573 Lm	4000 K	99 Lm/W	>90	PHILIPS
AA3468 F88E930	630X120mm	63.0 W	5900 Lm	3000 K	94 Lm/W	>90	PHILIPS
AA3468 F88E940	630X120mm	63.0 W	6200 Lm	4000 K	98 Lm/W	>90	PHILIPS
AA3469 F136E930	800X120mm	98.0 W	9285 Lm	3000 K	95 Lm/W	>90	PHILIPS
AA3469 F136E940	800X120mm	98.0 W	9783 Lm	4000 K	100 Lm/W	>90	PHILIPS
AA3470F356E930	1250X120mm	285.0 W	27176 Lm	3000 K	95 Lm/W	>90	PHILIPS
AA3470 F356E940	1250X120mm	285.0 W	28631 Lm	4000 K	100 Lm/W	>90	PHILIPS

Operation Lifetime: 50000h

B

COLOR

WHITE	.W
GRAY	.GR
BLACK	.BK
OTHER RAL COLORS	ON REQUEST

C

DIMMABLE

DALI	.TD
1-10V	.D1-10