

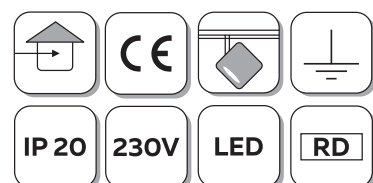
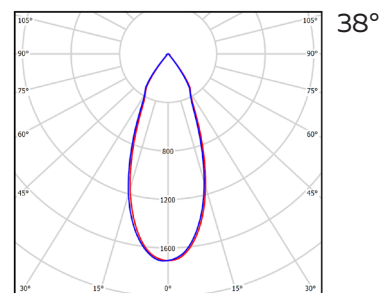
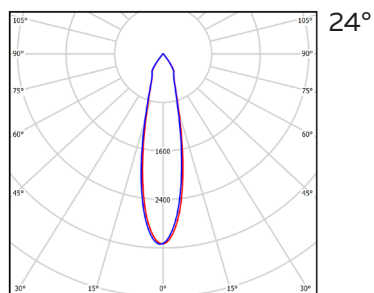
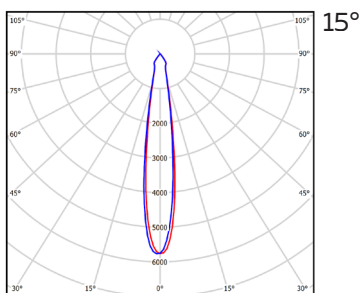
LORY M



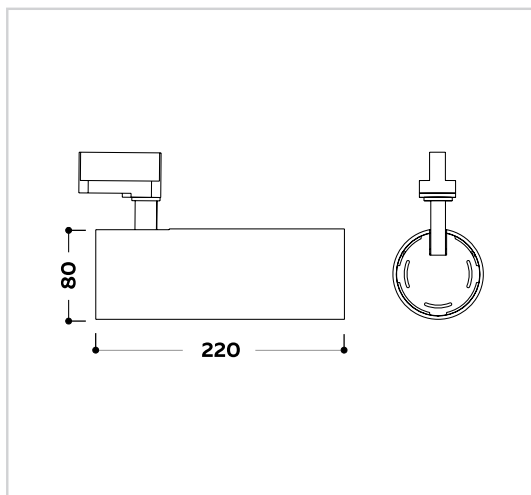
LORY M is a luminaire for track installation . The model is equipped with a LED module and a PHILIPS driver. Applications: shops, hotels, picture galleries, shopping centers, restaurants and more. Suitable for replacement of luminaires with metal - halogen lamps.

PRODUCT DESCRIPTION:

- High efficiency
- LED module luminous flux 1100lm, 2000lm or 3000Lm
- Standard color temperatures are 3000K and 4000K. For 2700K and 3500K on request
- Specialized PHILIPS modules For module PREMIUM WHITE and PREMIUM COLOR on request
- High color rendering CRI> 90 and CRI> 80 on request
- Option Dimmable DALI
- Protection IP20
- Long life: 50,000 hours
- Body: aluminium
- Reflector: aluminium
- Warranty: 5 years

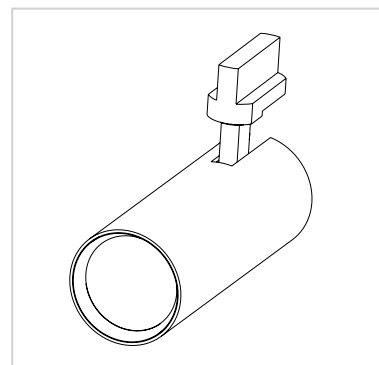


LORY M



DIMENSIONS:

LRJ017-C 80x220



CONFIGURATION REF. = A+B+C
example: LRJ017-C 8E930-W-TD

STANDART MODULES

A

REF.	Dimensions L/W	Power W	Luminous flux Lm	Color temperature K	Efficiency Lm/W	CRI	LED module and driver
LRJ017-C 8E930...	80x220mm	8 W	747 Lm	3000 K	93 Lm/W	>90	PHILIPS
LRJ017-C 8E840...	80x220mm	8 W	804 Lm	4000 K	101 Lm/W	>90	PHILIPS
LRJ017-C 11E930...	80x220mm	13 W	1174 Lm	3000 K	93 Lm/W	>90	PHILIPS
LRJ017-C11E840...	80x220mm	13 W	1390 Lm	4000 K	110 Lm/W	>90	PHILIPS
LRJ017-C 20E930...	80x220mm	20 W	2009 Lm	3000 K	100 Lm/W	>90	PHILIPS
LRJ017-C 20E840...	80x220mm	20 W	2187 Lm	4000 K	109 Lm/W	>90	PHILIPS
LRJ017-C 30E930...	80x220mm	29 W	2400 Lm	3000 K	83 Lm/W	>90	PHILIPS
LRJ017-C 30E840...	80x220mm	29 W	2628 Lm	4000 K	91 Lm/W	>90	PHILIPS

Operation Lifetime: 50000h

B

COLOR

WHITE	.W
GRAY	.GR
BLACK	.BK
OTHER RAL COLORS	ON REQUEST

C

DIMMABLE

DALI	.TD
------	-----