



UV-C 2020
DISINFECTING DEVICES

AIR STRIKE MOBILE 180



A UV-C light device for air disinfection by ultraviolet radiation.

ADVANTAGES:

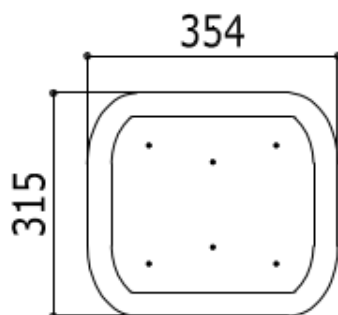
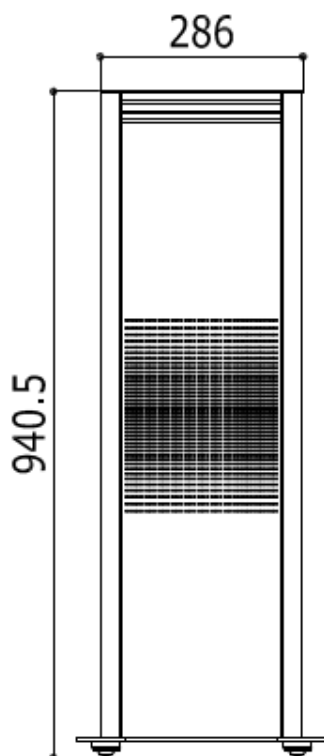
- Highly effective – for a short time disinfects the air in large rooms – up to $180\text{m}^3 \approx 60\text{m}^2$
- You save time, compared to other contactless disinfection technologies
- AIR STRIKE MOBILE 180 does not require supervision during operation
- OZONE FREE - 254nm wavelength, with no ozone emission thanks to the certified PHILIPS UV-C sources
- No harmful emissions and the room can be used continuously
- Easy to maintain
- Use AIR STRIKE MOBILE 180 in every room.





UV-C 2020
DISINFECTING DEVICES

AIR STRIKE MOBILE 180



CHARACTERISTICS:

- AIR STRIKE MOBILE 180 is safe for use in the presence of humans and animals.
- Compact size and clean design
- Designed for use in hospital rooms, operating rooms, clinics, laboratories, pharmaceutical and food industries, offices, retail outlets, schools, kindergartens, homes, etc.
- AIR STRIKE MOBILE 180 - low operating price and minimal maintenance.
- For standing installation, connection to a schuko socket



UV-C 2020
DISINFECTING DEVICES

AIR STRIKE MOBILE 180

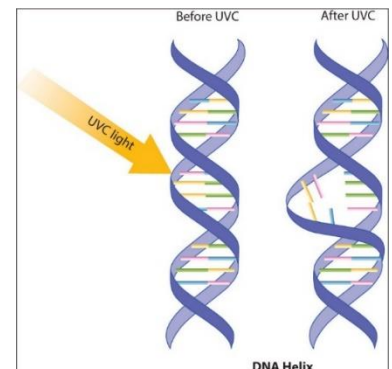
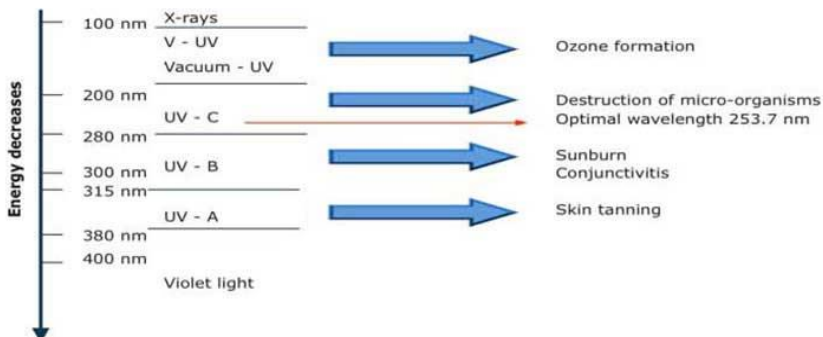
Model AIR STRIKE MOBILE 180 UV-C is equipped with PHILIPS TUV UV-C 254nm OZONE FREE sources, made of special glass, which filters the harmful ozone-forming 185nm radiation.

The UV-C light disinfects surfaces and air through ultraviolet radiation, which helps the disinfection by radiation damage to the DNA structures of all microorganisms – viruses, bacteria, yeast, mould. These surfaces must be exposed directly to the light emitted by the UV-C emitters.

Thus it stops the reproduction of microorganisms. For most cases, UV-C radiation with a wavelength of about 260 nm is the most effective. Mercury contained in light sources produces UV-C radiation in the very close effective spectrum of 254 nm, which has become the standard in the production of bactericidal lamps.



Philips TUV PL-L





TECHNICAL DATA

CAT. №	Dimensions L/B/H	Weight kg	Power W	PL-L UV-C	EVG
AA4751	315 x286 x 940.5MM	19	86	PHILIPS	PHILIPS

- HOUSING: STEEL AND ALUMINUM, POWDER-COATED IN BLACK AND WHITE
- AIR DISINFECTION: 180m³/hour
- NOISE LEVEL: 50dB
- BUILT-IN CONTROLLER FOR COUNTING WORKING HOURS AND INDICATION FOR THE STATUS OF THE DEVICE
- SUPPLY VOLTAGE: 220-240V
- PROTECTION: IP20
- CERTIFIED ACCORDING TO STANDARDS:
EN 55015:2013+A1:2015
EN 60598-1:15+AC:15+AC:16+A1:18
- OPTIONAL: REMOTE CONTROL
- POWER CABLE WITH PLUG FOR SCHUKO SOCKET
- DEVICE WARRANTY: 24 MONTHS
- UV-C LIGHT SOURCES WARRANTY: 12 MONTHS

NOTE: The lifetime of the light sources PHILIPS 254nm is 9000h by catalogue, after the reach them, then the sources must be replaced.